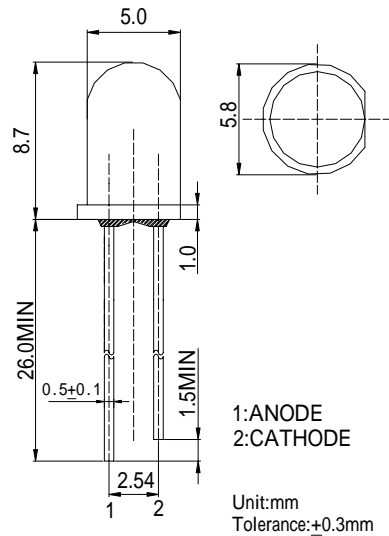


■Features

- High Radiant Power LEDs
- 5mm Round Standard Directivity
- Superior Weather-resistance
- UV Resistant Epoxy
- Color Transparent Type

■Applications

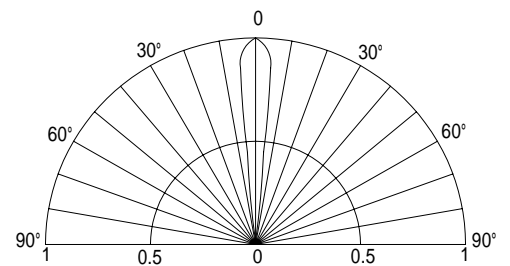
- IrDA
- Encoder
- Data Communication

■Outline Dimension

■Absolute Maximum Rating

(Ta=25)

Item	Symbol	Value	Unit
DC Forward Current	I_F	100	mA
Pulse Forward Current*	I_{FP}	1000	mA
Reverse Voltage	V_R	5	V
Power Dissipation	P_D	180	mW
Operating Temperature	T_{opr}	-30 ~ +85	
Storage Temperature	T_{stg}	-40 ~ +100	
Lead Soldering Temperature	T_{sol}	260 /5sec	-

* Pulse Width 100us, Duty 1/100

■Directivity

■Electrical -Optical Characteristics

(Ta=25)

Item	Symbol	Condition	Min.	Typ.	Max.	Unit
DC Forward Voltage	V_F	$I_F=100mA$	-	1.6	1.8	V
DC Reverse Current	I_R	$V_R=5V$	-	-	10	μA
Peak Wavelength	λ_p	$I_F=100mA$	-	940	-	nm
Radiant Intensity*	I_e	$I_F=100mA$	-	35	45	mW/Sr
50% Power Angle	$2\theta_{1/2}$	$I_F=100mA$	-	15	-	deg

 *1 Tolerance of Peak wavelength is $\pm 1nm$

 *2 Tolerance of l Radiant Intensity is $\pm 15\%$
LED & Application Technologies
